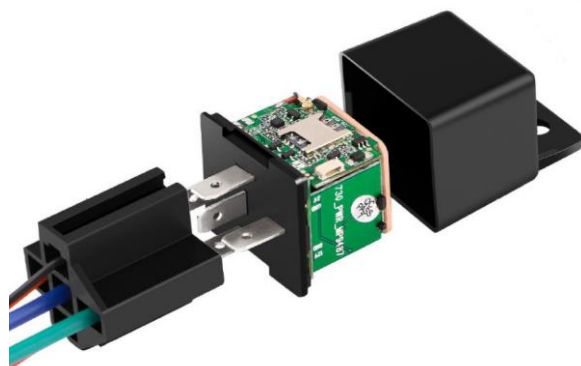




RFO-RVT720

Relay Type Vehicle Tracker
for Fleet Management



DATA SHEET

Product Description

General

The RFO-RVT720 looks like a relay but is actually a GPS locator. It can query the real-time location information of the device through the platform, mobile APP (Micodus) and SMS.

The device can be used normally in your country (all Europe) GSM band: 850/900/1.800/1.900 Mhz. Any other separately available. The tracker can be controlled remotely. In consequence the fuel pump can be cut remotely in case of a stolen vehicle.

The operating voltage is specified between 9 V - 90 VDC. In consequence it can be used with oldtimers, modern cars, trucks, forklift or any machine with battery.

Geofence

By setting one or several specific areas (home, company or others), the device will deliver the information to the web portal which will then send an alarm to your APP or system. In consequence you are always informed about the actual situation of your vehicle.

Vibration Alarm

This function is mainly used for anti-theft of vehicles. As soon as the system senses a movement on the car it will send an alarm and alerts the concerned person.

History Management

The RFO-RVT720 provides historic route data of the vehicle. This can be seen either in the APP or on the web portal. As a standard this data is stored for 180 days.

Additional functions

Cut wire alarm: If the device is cut off from power an alarm is sent.

Overspeed alarm: If a speed is exceeded from your preset speed an alarm is sent.

Movement alarm: This alarm (SMS, Call or App) will be sent if the vehicle is moved without engine activation (tow away).

Sleep mode: When turned on the device will go into sleep mode to save battery consumption.

Article no.:	RFO-RVT720		
Typical Applications			
• Fleet Management	• Anti-Theft		
• Rental vehicles	• Oldtimer protection		



Contact:

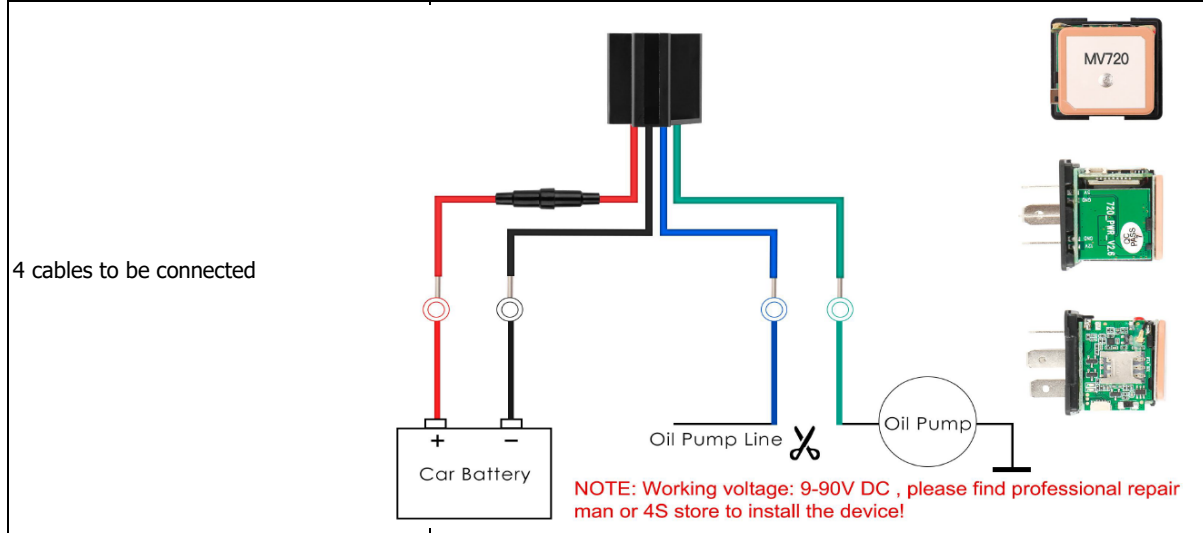
sales@radioforce.net
www.radioforce.net



Technical Specifications	RFO-RVT720
---------------------------------	-------------------

System	
GPS launch time	Cold start 45 sec Warm start 35 sec Hot start 1 sec
Operating voltage	9 - 90 VDC
Backup battery	Rechargeable 3,7 VDC 80 mAh Li-Ion polymer battery
Storage temperature	-40 degrees to +85 degrees
Temperature control	-35 degrees to +70 degrees
Humidity	5 % - 95 % non condensing
Network interface	2 G GSM/GPRS
Group	2 G GSM: 850/900/1.800/1.900 Mhz
GPS sensitivity	-159 dBm
GPS accuracy	5 m
LBS accuracy	100 - 200 m
Special functions	Anti-theft alarm, remote fuel shutdown, vibration alarm
Dimensions	31(W) x 31(H) x 57(H)mm
Weight	53 g

Connection principle



<p>REGION Worldwide</p>	<p>OPERATION BANDS 2G GSM 850/900/1800/1900MHz</p>
<p>POSITION ACCURACY GPS Accuracy<5m</p>	<p>CERTIFICATES CE/FCC</p>



Contact:

sales@radioforce.net
www.radioforce.net



Applications	RFO-RVT720
Motorcycle	
Car Rental	
Fleet Management	
E-bike	a. m. m.



Functions at a glance

- Relay Shape Hidden Design
- Remotely Cut Off/Resume Fuel
- 9-90V Wide Working Voltage
- Realtime Tracking On Google Maps
- History Route Playback
- Vibration Alert
- Overspeed Alert
- Cut Wire Alarm
- Geo-fence
- Lifetime Free Tracking Platform

Article no.:		Tracker	RFO-RVT720
---------------------	--	---------	-------------------



Contact:

sales@radioforce.net
www.radioforce.net