



**RFO-LUCD30 Tag**  
**Special Stainless Steel UHF Tag**  
**Embedded in metal**

**Product Description**

**General specifications**

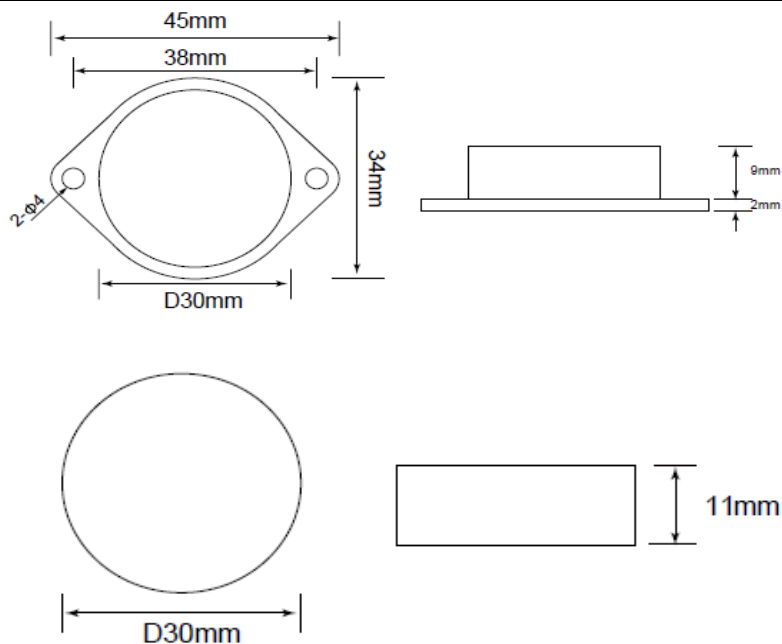
**Industrial equipment tracking Tag**

260°C High Temperature Rugged RFID Tag RFO-LUCD30

RFO-LUCD30 is a rfid electronic tag and provides extreme durability and resistance to very high temperature over 300°C for 100 hours, corrosive chemicals and challenging mechanical stresses.

These 304 stainless steel extremely rugged RFID tags measure dia30mm and are designed to be fixed with bolts or screws, or welded directly onto metal assets for permanent attachment.

**Dimension**



**Article no:**

**Typical Applications**

- Industrial goods Tracking
- Electronic registration
- Maintenance
- Trace & Track
- Supply Chain Management
- Factory automation

**Contact:**

infos@radioforce.net  
 www.radioforce.net



## RFO-LUCD30 Tag Special Stainless Steel UHF Tag Embedded in metal

### Functional Specifications:

RFID Protocol	EPC Class1 Gen2, ISO18000-6C
Frequency	US 902-928MHz, EU 865-868MHz
IC type	Alien Higgs-3/NXP UCODE8
Memory	EPC 96bits (Up to 480bits), User 512bits, TID64bits
Write Cycles	100,000 times
Functionality	Read/write
Data Retention	50 Years
Applicable Surface	Metal Surfaces
Read Range(On Metal) :(Fix Reader)	3.5m (US) 902-928MHz, On metal;
	3.5m (EU) 865-868MHz, On metal;
Read Range(On Metal) :(Handheld Reader)	2.6m (US) 902-928MHz, On metal;
	2.6m (EU) 865-868MHz, On metal;
Warranty	1 Year

### Physical Specification:

Size	Dia30mm
Thickness	11mm
Material	304 stainless steel
Colour	Grey
Mounting Methods	Screw, Weld, Embedded
Weight	34g

### Environmenal Specification:

IP Rating	IP68
Storage Temperature	-50°C to +260°C(Withstand 300°C for 100 hours)
Operation Temperature	-40°C to +150°C
Certifications	Reach, RoHs, CE, ATEX