



RFO-SCM16
Special UHF Tag
Full metal jacket

Product Description

General specifications

Industrial equipment tracking Tag

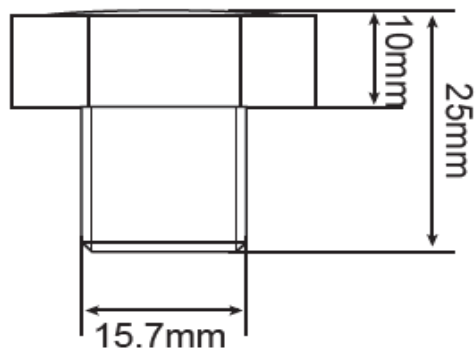
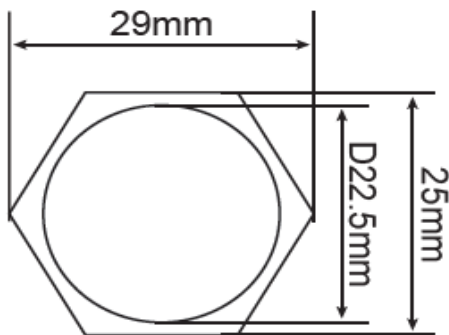
Rugged 304 steel RFID metal Tags RFO-SCM16 has been designed specifically for tagging objects under the most harsh environment.

Full metal jacket for most harsh environment

With its full metal jacket, it offers the best protection to the equipment tracking tags.

The RFID screw Tags RFO-SCM16 can be used almost anywhere with no limitation whatsoever, and it is perfectly suitable for the oil and gas industry, as well as for tracking all kinds of outdoor equipments, and is able to resist high temperature and pressure.

Dimension



Article no:

Typical Applications

- Industrial goods Tracking
- Electronic registration
- Maintenance
- Trace & Track
- Supply Chain Management
- Factory automation

Contact:

infos@radioforce.net
 www.radioforce.net



RFO-SCM16 Special UHF Tag Full metal jacket

Functional Specifications:

RFID Protocol	EPC Class1 Gen2, ISO18000-6C
Frequency	US 902-928MHz, EU 865-868MHz
IC type	Alien Higgs-3
Memory	EPC 96bits (Up to 480bits) , USER 512bits, TID64bits
Write Cycles	100,000times
Functionality	Read/write
Data Retention	Up to 50 Years
Applicable Surface	
Read Range(On Metal) :	Up to 200cm - (US) 902-928MHz, on metal
(Fix Reader)	Up to 200cm - (EU) 865-868MHz, on metal
Read Range(On Metal) :	Up to 120cm - (US) 902-928MHz, on metal
(Handheld Reader)	Up to 120cm - (EU) 865-868MHz, on metal
Warranty	1 Year

Physical Specification:

Size	M16 Screw
Material	304 Steel
Colour	Silver gray
Weight	50.0g

Environmenal Specification:

IP Rating	IP68
Storage Temperature	-40°C to +150°C
Operation Temperature	-40°C to +100°C
Certifications	Reach Approved,RoHS Approved,CE Approved